

# THE NEW JERUSALEM REVELATION 21-22

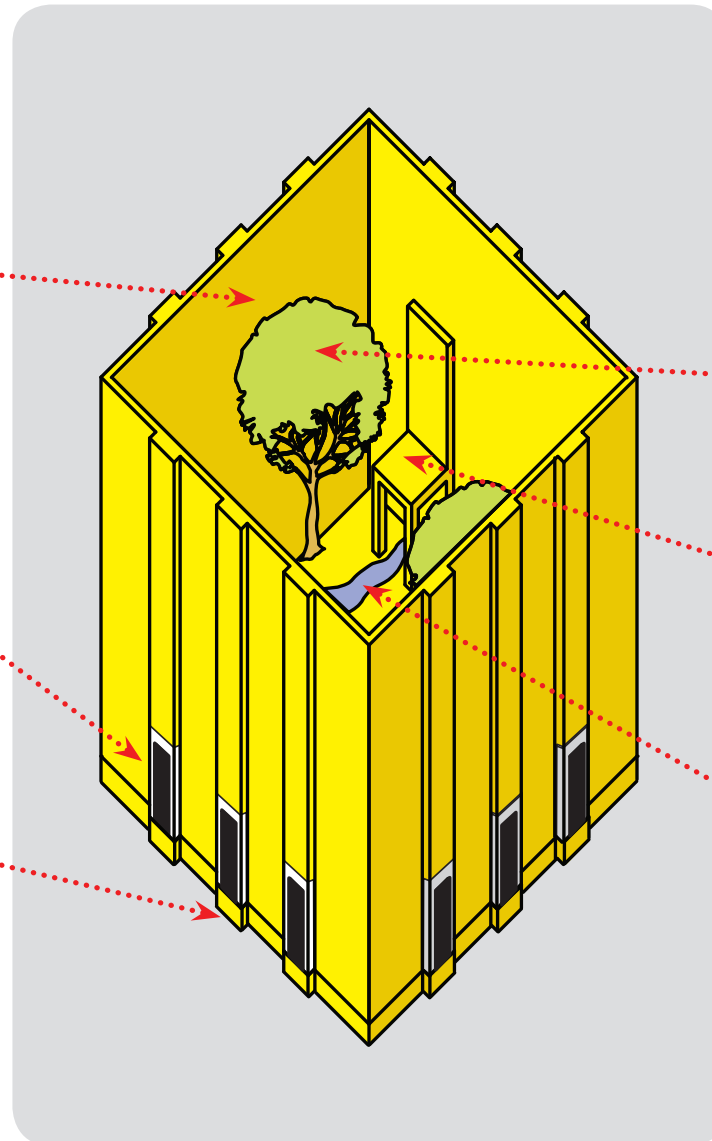
By Mark Barry © 2010 AFES www.afes.org.au Please do not republish without permission, but feel free to copy for personal use.

## SIGNIFICANCE

- a great, high wall (2200 km in all directions & 65m thick) = there will be an impenetrable barrier between believers & unbelievers [see 21:27]
  - made of pure gold & the walls of pure jasper
  - a perfect square, like Ezekiel's vision of God's city [Ezekiel 48:30-35]
  - a perfect cube like the Most Holy Place of the tabernacle & the temple, representing the presence of God [Exodus 26; 1Kings 6:20]
  - as big as the known world of the first century, i.e. from Palestine to Spain
- 
- 12 gates with the names of the tribes of Israel representing the old covenant people of God
  - fulfilment of Ezekiel's vision [see Ezekiel 48:30-35]
- 
- 12 foundations with the names of the apostles representing the new covenant people of God
  - foundations made of 12 precious stones like the breastplate of the high priest [Exodus 28:17-20]
  - fulfilment of Isaiah's vision of Zion, with walls, foundations & battlements made of precious stones [see Isaiah 54:11-12]

## SYMBOL

- WALLS**  
21:12-18
- 
- GATES**  
21:12-13, 21, 25-27
- 
- FOUNDATIONS**  
21:14, 19-20



## SYMBOL

- TEMPLE**  
21:22
- 
- LIGHT**  
21:23-24; 22:5
- 
- TREE**  
22:2
- 
- THRONE**  
22:3-4
- 
- RIVER**  
22:1-2
- 
- CURSE**  
22:3

## SIGNIFICANCE

- God & Jesus meet face-to-face with their people
  - there is no need for a temple
- 
- no need for the sun or the moon for the glory of God gives the city light & the Lamb is its lamp
  - light = glory & life - the nations will be drawn toward it [see Isaiah 60:1-3, 19-20, John 1:4, 9; 8:12; 12:35, 46]
- 
- the tree of life stands on either side of the river representing eternal life for believers [see Genesis 3:22, Ezekiel 47:12]
- 
- the throne of God / the Lamb will be in the city & his servants will serve them
  - God's people will now see his face & live, be marked as his chosen people & will reign over the new creation with Christ [see Daniel 7:27; Matthew 5:8; Revelation 7:3; 20:4]
- 
- the river of life flows from the throne down the middle of the city - representing the gift of eternal life [see Genesis 2:10; Psalm 36:8; Psalm 46:4; John 4:10; Ezekiel 47:12, Zechariah 14:8]
- 
- no longer will there be any curse in the city from the fall [see Genesis 3]